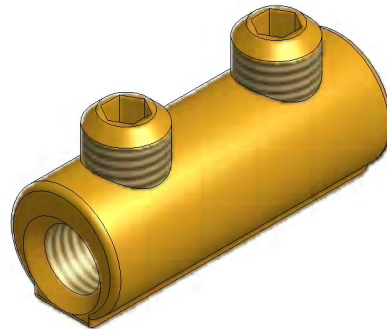


MFB1 Connector



Principle Application:

Stranded and solid service conductors.

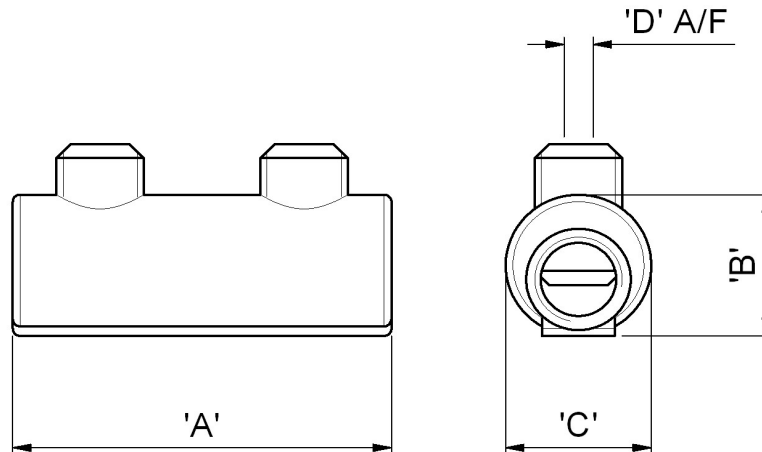
Product Reference (Part Number)	Type	Core C.S.A. (mm ²)	
		Min	Max
MFB1 (3395-408)	Moisture Blocked	1.5*	6*

Note: For jointing other core configurations/sizes please contact Sicame Engineering Dept

The **Sicame MFB1** range of mechanical connector is designed for straight connections on stranded or solid service cables. The ferrules are manufactured in brass for suitability of jointing either copper/aluminium, sector/circular shaped conductor cores.

MFB1 Connector

Physical Dimensions:



Product Reference (Part Number)	Dimensions (mm)			
	'A'	'B'	'C'	'D' AF
MFB1 (3395-408)	26	10	10	3

Material:

Copper Alloy

Test Specifications:

BS EN 61238-1 Class B

Fitting Instructions:

1. Cut the service cables to length and strip the core insulation.
2. Thoroughly abrade all conductors to be jointed.
3. Align cores within connector and torque tighten the screws.