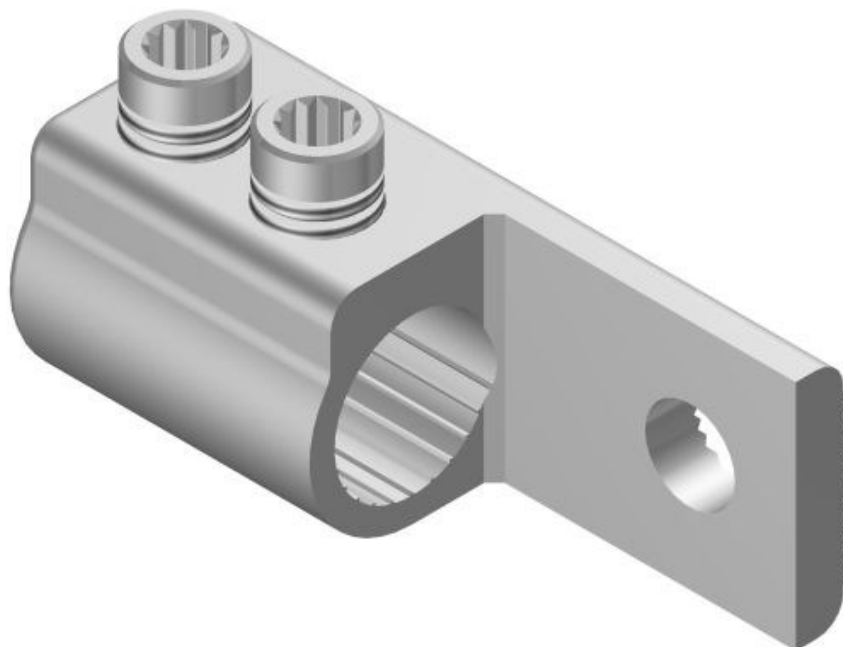


ML6 Connectors**Principle Application:**

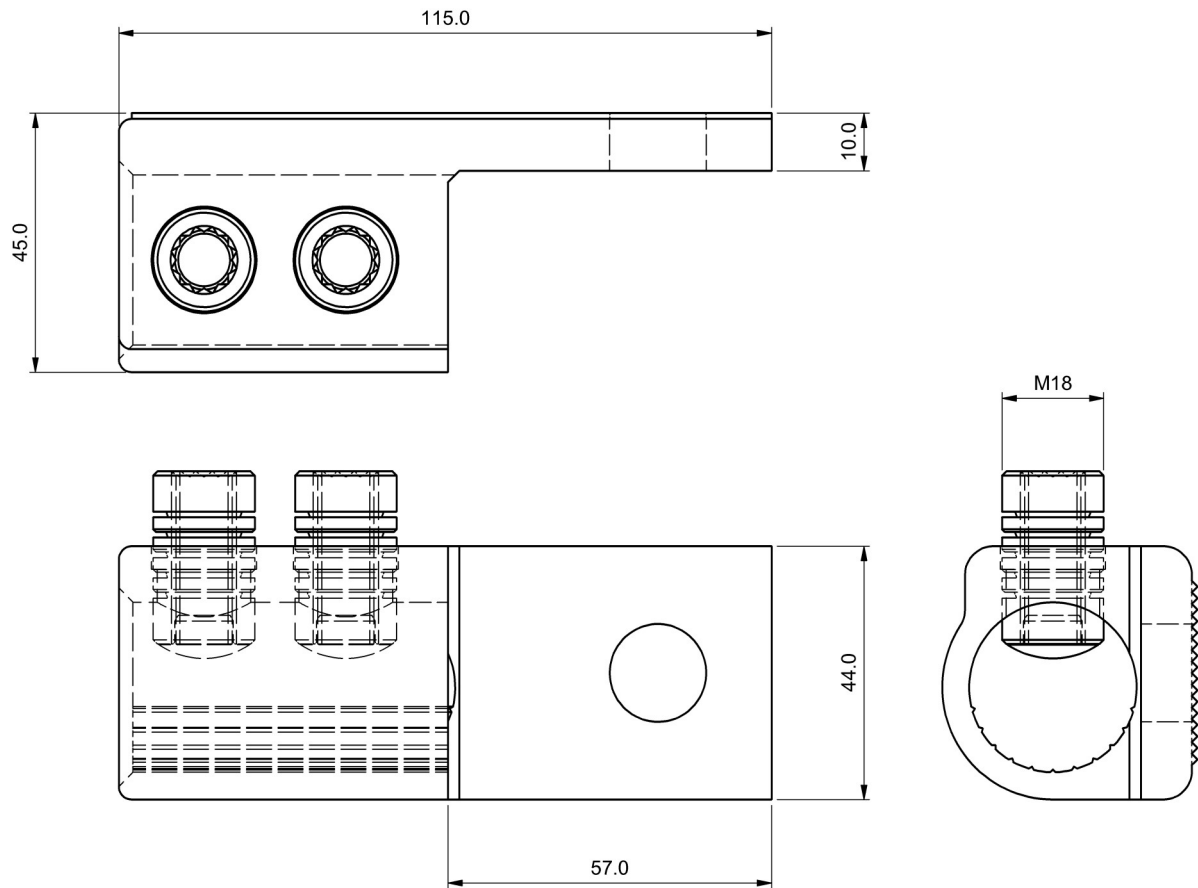
Termination of solid conductor cores.

Range:

Product Reference (Part Number)	Conductor Core C.S.A. (mm ²)		Stud Size
	Min	Max	
ML6-16 (51801-69)	480 (4 x 120)	600 (4 x 150)	M16
ML6-20	480 (4 x 120)	600 (4 x 150)	M20

ML6 Connector

Physical Dimensions



Material:

Aluminium Alloy