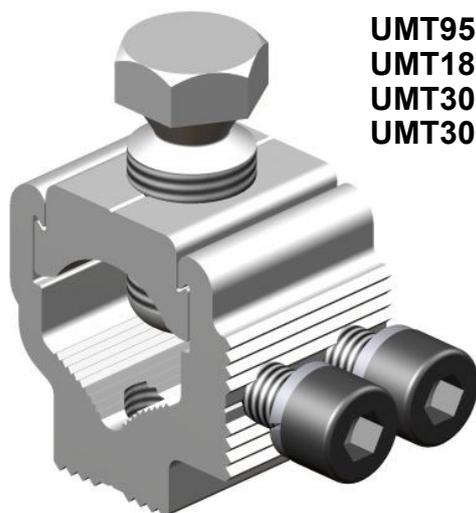
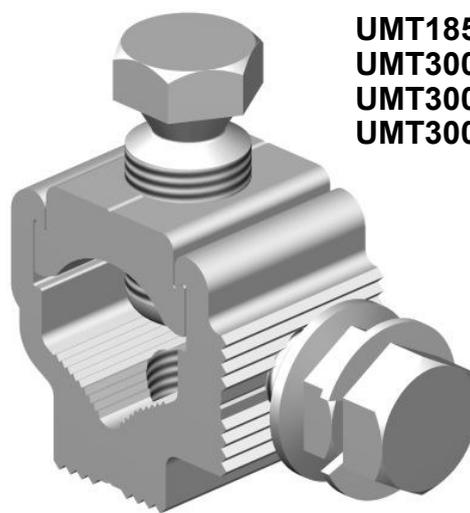


UMT Connectors



**UMT95
UMT185
UMT300
UMT300/REN**



**UMT185/UPN
UMT300/UPN
UMT300/B
UMT300/C**

Principle Application:

For LV terminations of sector/round, stranded/solid, aluminium/copper conductor cores.

Range:

| Connector Reference (Part Number) | Core C.S.A. (mm ²) | | Busbar Thickness (mm) |
|--------------------------------------|--------------------------------|-----|--------------------------|
| | Min | Max | |
| UMT95 (51807-25) | 25 | 95 | 6.5 - 8.1 |
| UMT185 (4364-145) | 35 | 185 | 6.5 - 8.1 |
| UMT300 (4364-146) | 70 | 300 | 6.5 - 8.1 |
| UMT185/UPN (51807-11) | 35 | 185 | 6.5 - 8.1 |
| UMT300/UPN (51807-32) | 185 | 300 | 6.5 - 8.1 |
| UMT300/B (51807-30) | 70 | 300 | 6.5 - 8.1 |
| UMT300/C (3395-524) | 70 | 300 | 4 - 5 |
| UMT300/REN (51809-78) | 70 | 300 | 12 |

Note: For jointing other core configurations/sizes please contact Sicame Engineering Dept

The **Sicame UMT** range of universal termination connectors accommodates an extensive range of LV cable styles and sizes.

The connector utilizes the proven shear head direct acting bolts (plated) thereby removing the need for pressure plates.

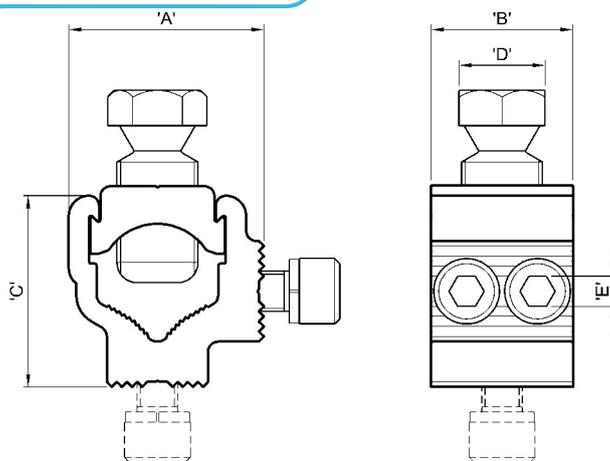
The plated bolts combined with a standard plated yoke section, allow for the jointing of copper conductor cores without the need for the conventional brass gauze.

UMT Connectors

Physical Dimensions:

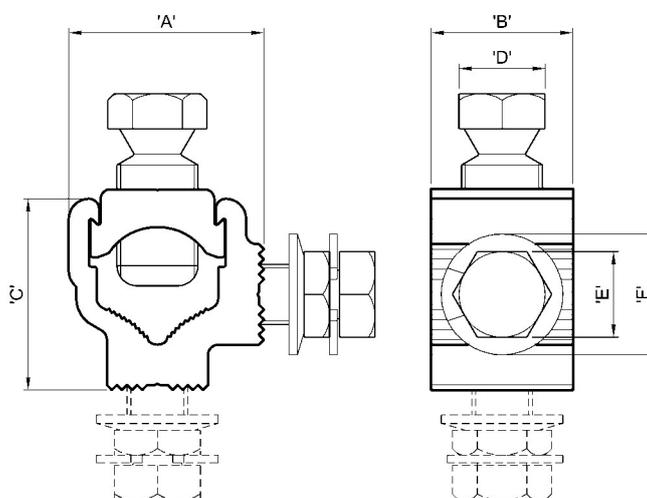
**UMT95
UMT185
UMT300
UMT300/REN**

Note: UMT300/REN utilizes a double headed shear screw in the bridge piece.



**UMT185/UPN
UMT300/UPN
UMT300/B
UMT300/C**

Note: UMT185/UPN utilizes a double headed shear screw in the bridge piece.



| Connector Reference (Part Number) | Dimensions (mm) | | | | | |
|--------------------------------------|-----------------|------|------|--------|--------|-------|
| | 'A' | 'B' | 'C' | 'D' | 'E' | 'F' |
| UMT95 (51807-25) | 30.5 | 28.0 | 30.5 | 13 A/F | 5 A/F | N/A |
| UMT185 (4364-145) | 38.5 | 30.0 | 38.0 | 17 A/F | 6 A/F | N/A |
| UMT300 (4364-146) | 44.5 | 30.0 | 44.5 | 17 A/F | 6 A/F | N/A |
| UMT185/UPN (51807-11) | 38.5 | 28.0 | 38.0 | 17 A/F | 17 A/F | Ø24.0 |
| UMT300/UPN (51807-32) | 44.5 | 30.0 | 44.5 | 17 A/F | 17 A/F | Ø40.0 |
| UMT300/B (51807-30) | 44.5 | 30.0 | 44.5 | 17 A/F | 17 A/F | Ø40.0 |
| UMT300/C (3395-524) | 44.5 | 30.0 | 44.5 | 17 A/F | 17 A/F | Ø40.0 |
| UMT300/REN (51809-78) | 44.5 | 30.0 | 44.5 | 17 A/F | 6 A/F | N/A |

Material: Aluminium Alloy (Tinned)

Test Specification: Designed to meet the requirements of Engineering Recommendation C79 and IEC61238-1.

©COPYRIGHT

Sicame UK Ltd operates a continuous product design development and improvement programme and offers active co-operation establishing satisfactory procedures and systems to meet new or unusual jointing situations. The company reserves the right to introduce modifications to the above designs and specifications without prior notice.

sicame
UK

1.64b

APRIL 2020