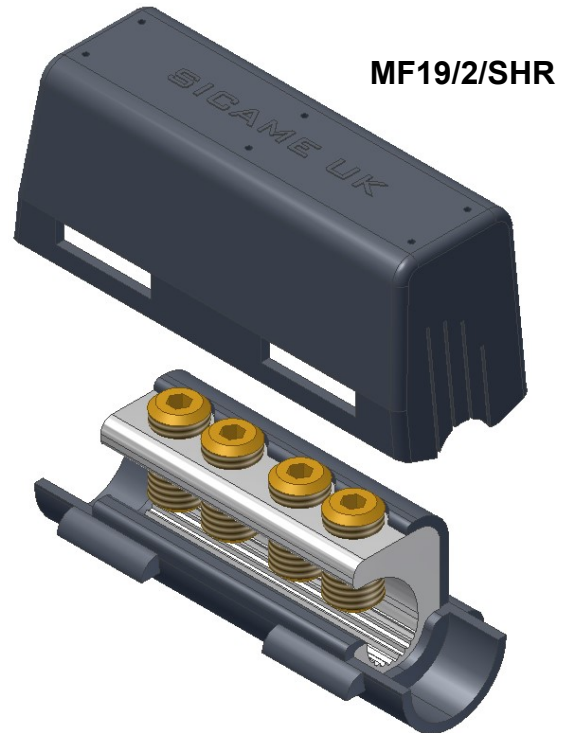
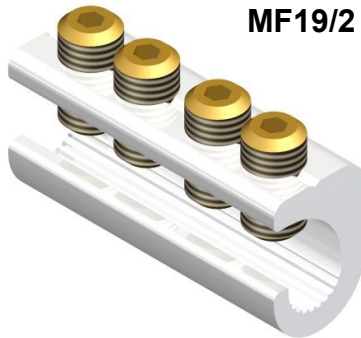


Service Straight -
Side Entry

MECHANICAL CONNECTORS

MF19/2 & MF19/2/SHR Connector



Principle Application:

Stranded and solid circular conductors.

Range:

Product Reference (Part Number)	Type	Core C.S.A. (mm ²)	
		Min	Max
MF19/2 & MF19/2/SHR (51801-13)	Straight Through	4*	35

Note: For jointing other core configurations/sizes please contact Sicame Engineering Dept

The **Sicame MF19/2** mechanical connector is designed for straight connections on stranded or solid cable. The aluminium connector yoke is electro-tinned as standard and is supplied with brass grub screws making it suitable for jointing both copper and aluminium conductor cores.

The **Sicame MF19/2/SHR** mechanical connector has a factory fitted lower polypropylene shroud with a 'snap on' upper to fully insulate the assembled connector.

Secondary Application:

Product Reference (Part Number)	Type	Core C.S.A. (mm ²)	
		Min	Max
MF19/2 & MF19/2/SHR (51801-13)	Straight Through	4*	35

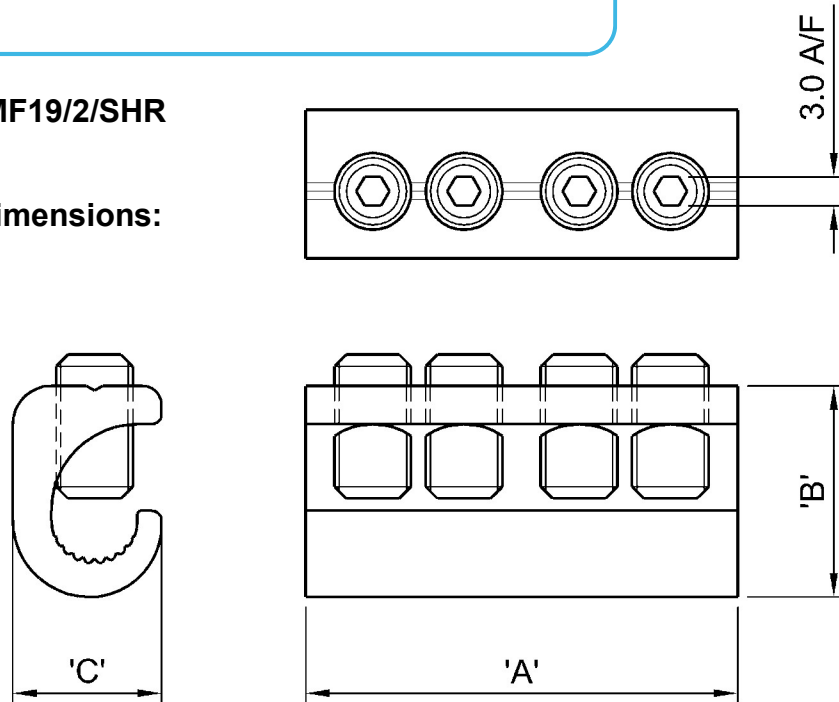
Note: For jointing other core configurations/sizes please contact Sicame Engineering Dept

Service Straight -
Side Entry

MECHANICAL CONNECTORS

MF19/2 & MF19/2/SHR Connector

Physical Dimensions:



Connector Reference (Part Number)	Dimensions (mm)		
	'A'	'B'	'C'
MF19/2 & MF19/2/SHR (51801-13)	45.0	22.0	15.5

Material:

Body: Aluminium Alloy (Tinned) (MF19/2 & MF19/2/SHR)

Screws: Brass

Shroud: Polypropylene

Test Specification:

IEC1238-1: Test Reports TTR/257, 266 and 277

Fitting Instructions:

1. Cut the cables to length and strip the core insulation equal to half the length of the connector +3mm.
2. Thoroughly abrade all conductors to be jointed.
3. Align cores within connector and tighten screws on each side of the connector consecutively, until tight.

©COPYRIGHT

Sicame UK Ltd operates a continuous product design development and improvement programme and offers active co-operation establishing satisfactory procedures and systems to meet new or unusual jointing situations. The company reserves the right to introduce modifications to the above designs and specifications without prior notice.

sicame
UK

1.92b

FEBRUARY 2020