

Gel Filled Junction Box

'SICGEL' Joint Boxes



Principle Characteristics:

- **Operating temperature:** - 20°C to + 90° c.
- **Voltage range:** 0.6/1kv.

Compliant Specifications:

- Class II insulation to CE164-8.
- Secondary protection to CE170-1-IP68.

A range of gel filled polypropelene junction boxes complete with a 4 core cable spacer and tie wraps.

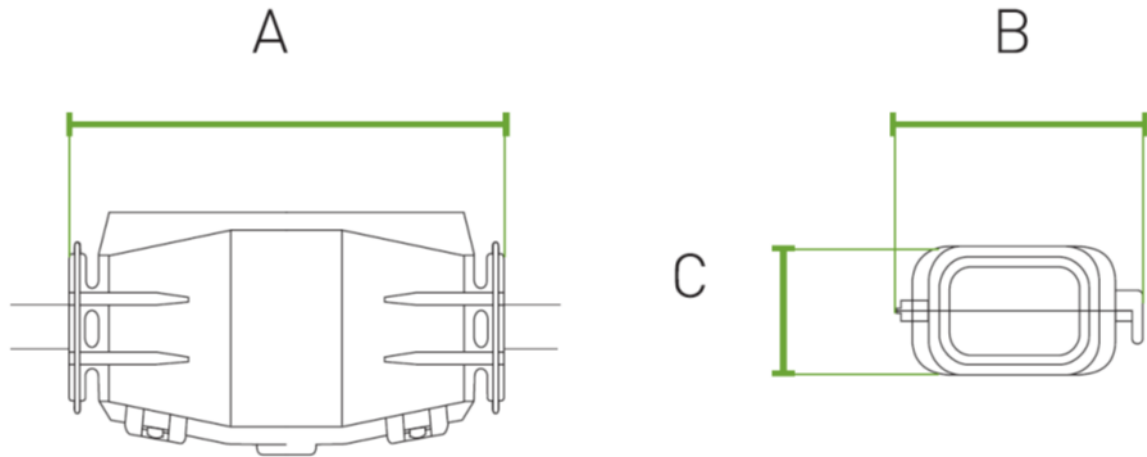
The junction boxes have a unique snap together mechanism ensuring that the hinged lid is firmly closed without the aid of additional fixings.

Please Note:

Connectors are not supplied with the junction box.

Gel Filled Junction Box

'SICGEL' Joint Boxes



| Product Reference | Dimensions (mm) | | | Weight (grms) |
|-------------------|-----------------|-----|-----|---------------|
| | 'A' | 'B' | 'C' | |
| SICGEL15 | 70 | 24 | 42 | 70 |
| SICGEL30 | 100 | 30 | 49 | 98 |
| SICGEL50 | 165 | 36 | 58 | 185 |
| SICGEL100 | 220 | 50 | 90 | 352 |



©COPYRIGHT

Sicame UK Ltd operates a continuous product design development and improvement programme and offers active co-operation establishing satisfactory procedures and systems to meet new or unusual jointing situations. The company reserves the right to introduce modifications to the above designs and specifications without prior notice.

sicame
UK