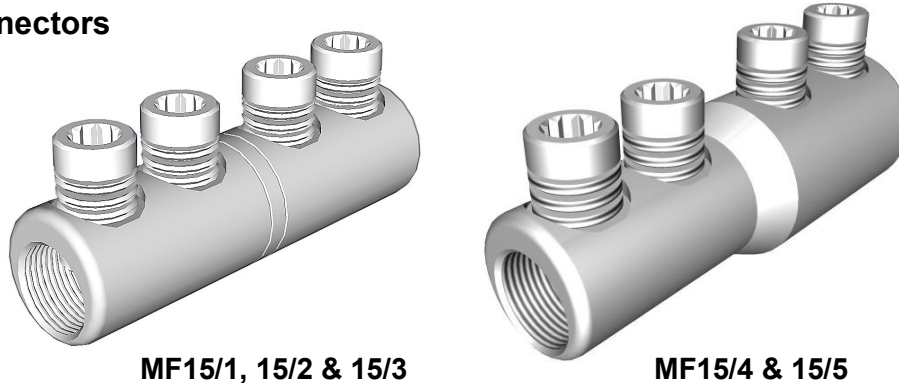


Straight mechanical ferrule with moisture / contaminant block for medium voltage applications

MECHANICAL CONNECTORS

MF15 Connectors



MF15/1, 15/2 & 15/3

MF15/4 & 15/5

Principle Application:

Straight through jointing of stranded/solid sectoral conductors.

Range:

Connector Reference (Part Number)	Core C.S.A. (mm ²)			
	Stranded		Solid	
	Min	Max	Min	Max
MF15/1 (51809-86)	16	120	16	95
MF15/2 (3395-565)	16	185	16	150
MF15/3 (51805-15)	70	300	70	240
MF15/4 (51801-91)	50 (ABC)	120 (ABC)	120	300
MF15/5	50 (ABC)	120 (ABC)	70	240

Note: For jointing other core configurations/sizes please contact Sicame Engineering Dept
The 'MF15' range of mechanical connectors incorporate an integral moisture/contaminant block and utilises the patented "universal" range taking shear bolts. The connector comes complete with core stripping guides.

Suitable for all cable voltages up to and including 11000 volts.

Secondary Application:

Straight through jointing of stranded/solid circular cored conductors.

Range:

Connector Reference (Part Number)	Core C.S.A. (mm ²)			
	Stranded		Solid	
	Min	Max	Min	Max
MF15/1 (51809-86)	16	120	16	185
MF15/2 (3395-565)	16	185	16	300
MF15/3 (51805-15)	70	300	70	400
MF15/EDF (51809-80)	95	240	-	-

Note: For jointing other core configurations/sizes please contact Sicame Engineering Dept

©COPYRIGHT

Sicame UK Ltd operates a continuous product design development and improvement programme and offers active co-operation establishing satisfactory procedures and systems to meet new or unusual jointing situations. The company reserves the right to introduce modifications to the above designs and specifications without prior notice.

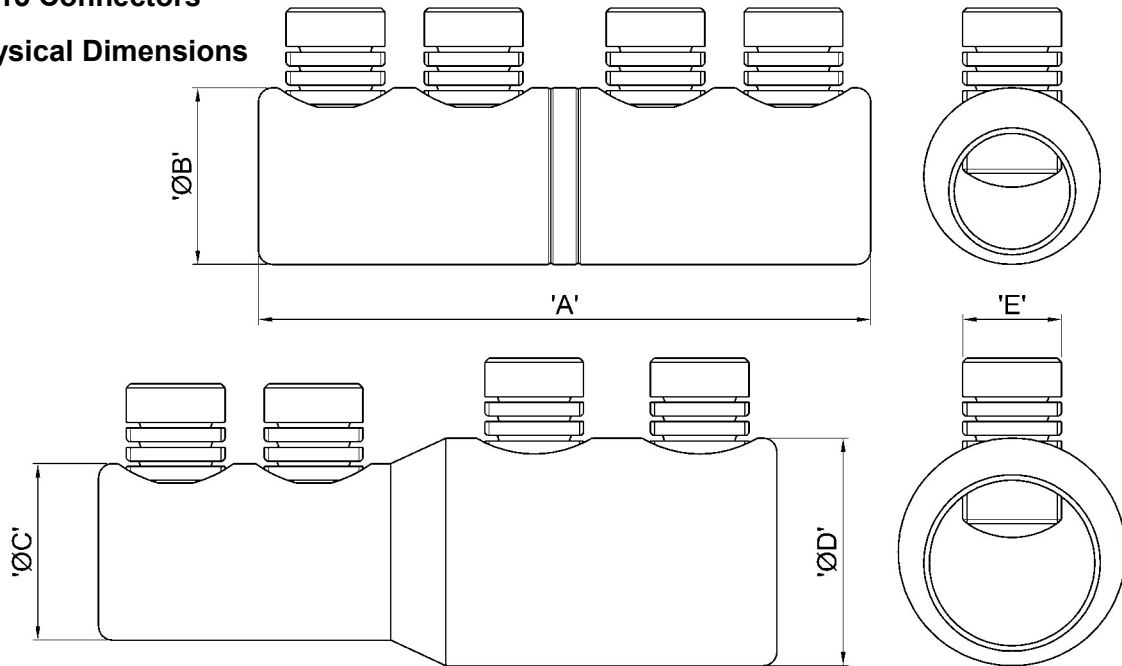
sicame
UK

Straight mechanical ferrule
with moisture / contaminant
block for medium voltage
applications

MECHANICAL CONNECTORS

MF15 Connectors

Physical Dimensions



Connector Reference (Part Number)	Dimensions (mm)				
	'A'	'ØB'	'ØC'	'ØD'	'E'
MF15/1 (51809-86)	107.0	28.0	N/A	N/A	M16
MF15/2 (3395-565)	111.0	32.0	N/A	N/A	M18
MF15/3 (51805-15)	125.0	37.5	N/A	N/A	M18
MF15/4-18	115.0	N/A	32.0	41.3	M18
MF15/EDF (51809-80)	105.0	32.0	N/A	N/A	M16
MF15/5	119.0	N/A	32.0	37.5	M18

Material: Aluminium Alloy

Test Specification: Engineering Recommendation C79 / IEC 1238-1.

Fitting instructions:

1. Strip insulation from each core equal to the depth of the bore guide + 5mm.
2. Thoroughly abrade exposed conductor cores. (See note).
3. Position the conductor cores within the connector ensuring they are fully located.
4. Fit the universal shear bolts and tighten consecutively one turn at a time until the bolts have sheared.

Note: When jointing copper conductor, wrap the core with the brass gauze supplied prior to installation. Conductor cores 10mm² and below should be doubled to achieve the necessary cross-sectional area.

IMPORTANT: Please note when using the MF connectors in joints nominally rated in excess of 3.3kV, it is essential that the Jointing System Supplier's instructions for stress relieving and re-insulation techniques are strictly adhered to.

©COPYRIGHT

Sicame UK Ltd operates a continuous product design development and improvement programme and offers active co-operation establishing satisfactory procedures and systems to meet new or unusual jointing situations. The company reserves the right to introduce modifications to the above designs and specifications without prior notice.

sicame
UK

2.14

FEBRUARY 2020