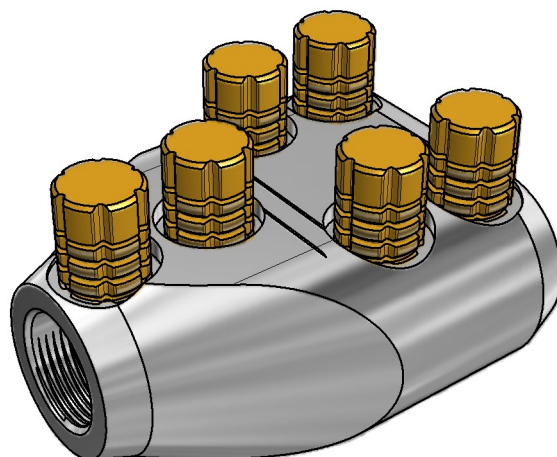


Mechanical 'Y' Connector
with Moisture/Contaminant
Block for Medium/High
Voltage Applications

MECHANICAL CONNECTORS

'USMB/FPL-X-C-B2' Copper 'Y' Connector



Principle Application:

'Y' Branch jointing of circular copper or aluminium stranded conductors.

Range:

Connector Reference	Stranded Core Size			
	2 x Main		1 x Tap	
	Min	Max	Min	Max
USMB/FPL-2-C-B2	350 kcmil (177mm ²)	750 kcmil (380mm ²)	#3 (27mm ²)	350 kcmil (177mm ²)
USMB/FPL-4-C-B2	2/0 (67mm ²)	500 kcmil (253mm ²)	2/0 (67mm ²)	500 kcmil (253mm ²)

The '**USMB**' range of mechanical 'Y' connectors incorporate an integral moisture/contaminant block and utilise the patented MK2 solid universal range taking brass shear bolts. (USA Patent No's 6209424 & 6321624)

The appropriate socket is to be used at all times, typical examples shown below.

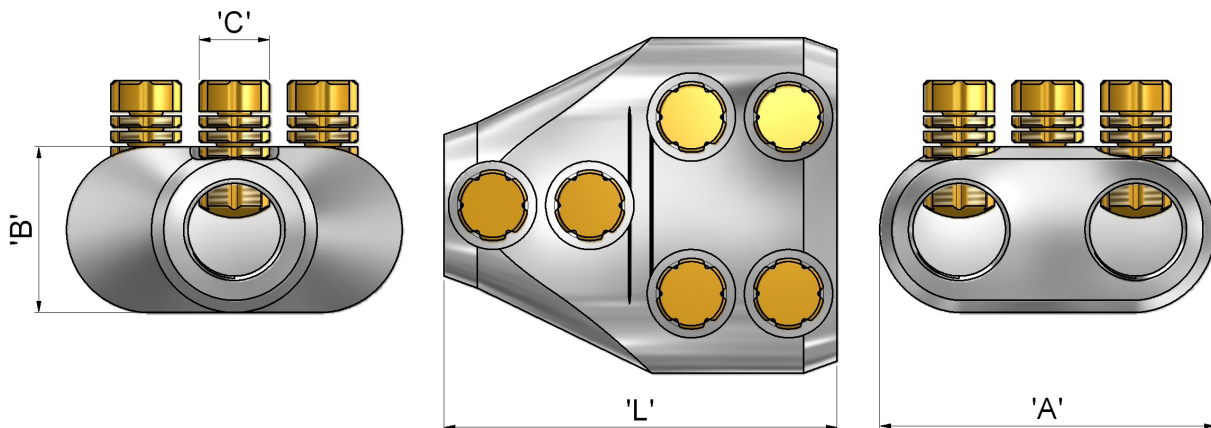


'JTS/26' 1/2" sq Driver

Mechanical 'Y' Connector
with Moisture/Contaminant
Block for Medium/High
Voltage Applications

'USMB/FPL-X-C-B2 Copper 'Y' Connector

Physical Dimensions:



Connector Reference	Dimensions			
	'L'	'B'	'A'	'C'
USMB/FPL-2-C-B2	3.50" (89mm)	1.48" (37.5mm)	3" (76mm)	M16
USMB/FPL-4-C-B2	3.50" (89mm)	1.48" (37.5mm)	3" (76mm)	M16

Material: Copper (Electro-Tinned)

Test Specification: ANSI C119.4 Class 2 Partial Tension / IEEE 404

Fitting instructions:

1. Strip insulation from each core equal to the depth of the bore.
2. Wire brush the exposed conductor cores and wipe clean (optional).
3. Align and position the conductor cores in each of the bores ensuring that the core is fully inserted to the centre wall.
4. Fit the universal shear screws within the connector and torque tighten one turn at a time, using the correct socket, until the bolts have sheared.

©COPYRIGHT

Sicame UK Ltd operates a continuous product design development and improvement programme and offers active co-operation establishing satisfactory procedures and systems to meet new or unusual jointing situations. The company reserves the right to introduce modifications to the above designs and specifications without prior notice.

sicame
UK

2.24f

June 2018