

'NE' Connectors



Principle Application:

Stranded aluminium and copper neutral/earth (CNE) strands.

Range:

Connector Reference (Part Number)	Core C.S.A. (mm ²)	
	Min	Max
NE13 (51801-33)	25	150
NE14 (51801-34)	140	240
NE15 (51801-35)	25	240
NE18*	25	240

*Note: See technical data over-

The '**NE**' range of Neutral Earth Connectors have been designed to connect both stranded copper and stranded aluminium neutral earth conductors of CNE (waveform) service and mains distribution cables.

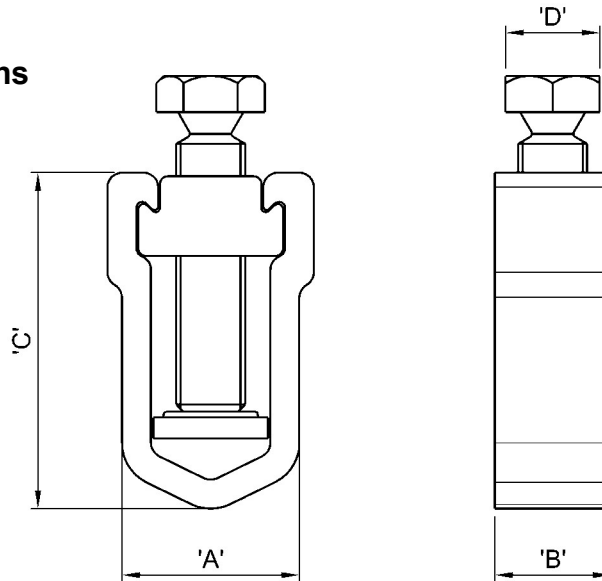
All joint configurations can be accommodated dependant on the total cross sectional area of neutral/earth conductor to be jointed.

Each connector is supplied complete with brass gauze as standard.

See overleaf for fitting instructions.

'NE' Connectors

Physical Dimensions



Connector Reference (Part Number)	Dimensions (mm)			
	'A'	'B'	'C'	'D'
NE13 (51801-33)	28.5	16.0	36.0	13.0
NE14 (51801-34)	28.5	16.0	46.0	13.0
NE15 (51801-35)	28.5	16.0	46.0	13.0
NE18*	28.5	16.0	46.0	13.0*

*Note: Non shear head screw

Material:

Copper Alloy

Fitting Instructions:

1. Arrange the CNE conductors into the required number of bunches for the particular joint and, where necessary, cut the conductors to length.
2. Thoroughly abrade all conductors around the assembly area.
3. Fit the yoke around the conductors, insert the bridge piece and tighten the screw until positive location is achieved.
4. If the connector employs a shear head system (NE13, NE14 & 15), check for even distribution of the conductors before finally tightening the screw until the head shears.

Note: When jointing CNE aluminium to copper conductors ensure the supplied brass gauze is fitted around the copper conductors only.